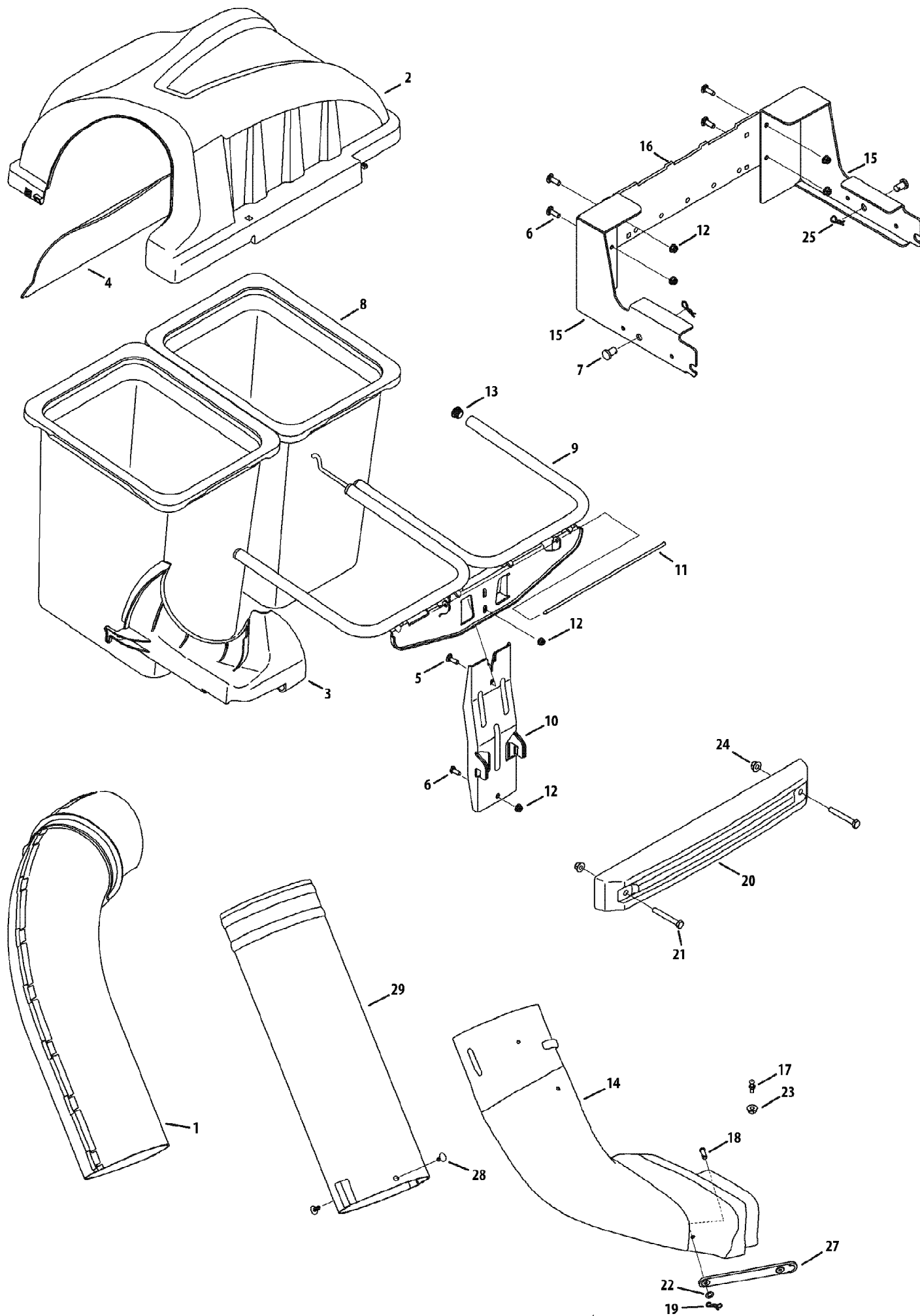


19A70005OEM Twin Rear Bagger (2010)  
General Assembly



19A70005OEM Twin Rear Bagger (2010)  
General Assembly

Page 2 of 2

Ref #	Part Number	Qty	S/P/F	Description
1	631-04295P	1	S	Upper Chute Assembly
2	931-04292	1	/P	Twin Bagger Cover Assembly
3	731-06497	1		Upper Chute Support
4	731-06504	1		Bagger Cover Screen
5	710-0276	1	/P	Carriage Screw, 5/16-18 x 1.00"
6	710-3008	1	/P	Hex Head Screw, 5/16-18 x .75"
7	911-0332	1	/P	Clevis Pin, .50" Dia.
8	964-04096	1	/P	Grass-bag Assembly
9	683-04461	1	S	Twin Bag Support Assembly
10	683-04519	1	S	Vertical Support Bracket
11	711-04988	1		Cover Hinge Pin
12	712-04063	1	/P	Flange Lock Nut, 5/16-18
13	735-0246A	1		End Plug
14	731-04777C	1	/P	Discharge Chute Elbow
15	689-00111	1	/P	RZT Hitch Bracket Kit (RH & LH)
16	783-06168-0637	1		Universal Cross Bracket
17	911-04069	1	/P	Grass-catcher Pin
18	711-05063	1		Clevis Pin 5/16 x 3/4
19	714-04040	1		Bow-Tie Cotter Pin
20	719-04271A	1		Bagger Weight
21	710-3022	1	/P	Hex Head Screw, 3/8 - 16 x 2.75
22	736-0204	1	/P	Flat Washer, .344 x .62 x .033
23	712-04064	1	/P	Flange Lock Nut, 1/4 - 20
24	712-04065	1	/P	Flange Lock Nut, 3/8 - 16
25	914-04023	1	/P	Cotter Pin, .080 x 1.5625 Internal
27	723-04008A	1	/P	Chute Strap
28	726-3046	1	/P	Ratchet Clip, .250
29	731-06668	1		Bagger Chute Adapter, 7 In.